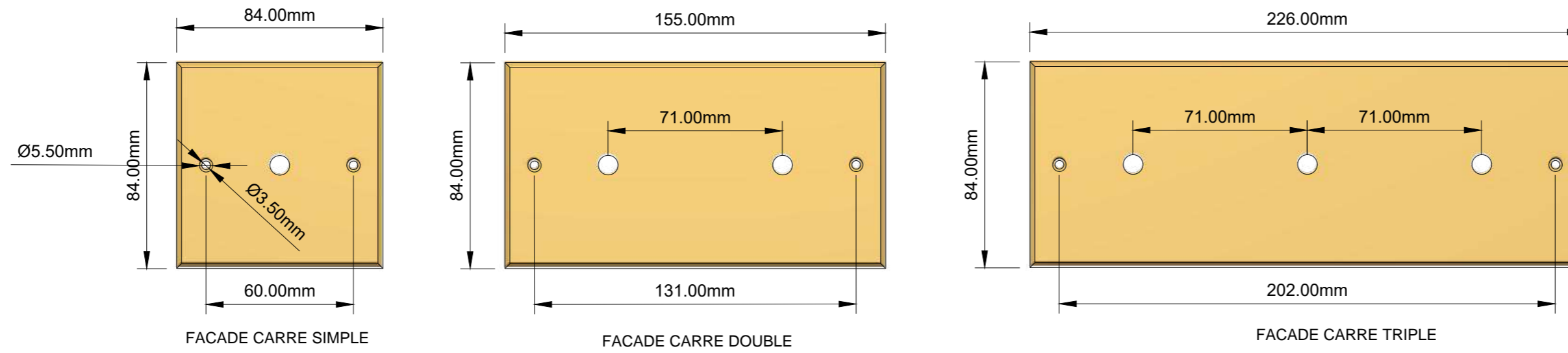


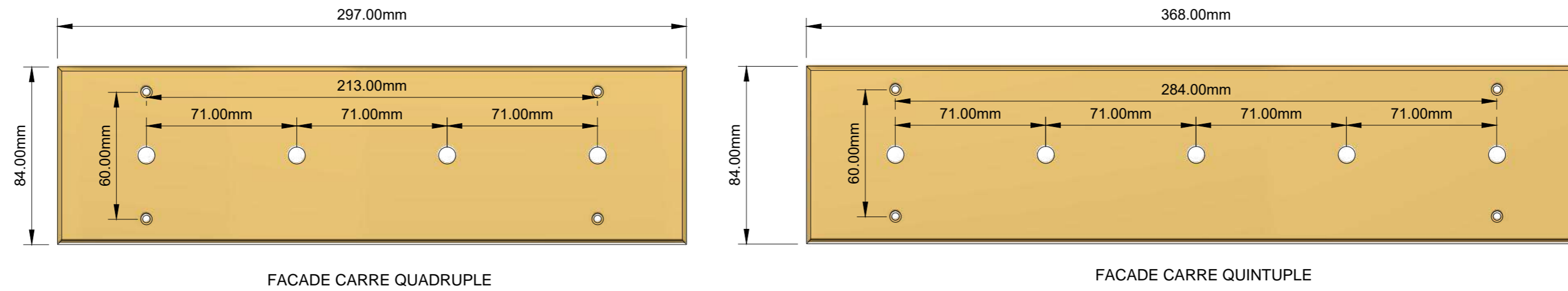
DIMENSIONS FACADES COLLECTION HERITAGE

HOPE/CARAT ET HOPE/CARAT SLIM

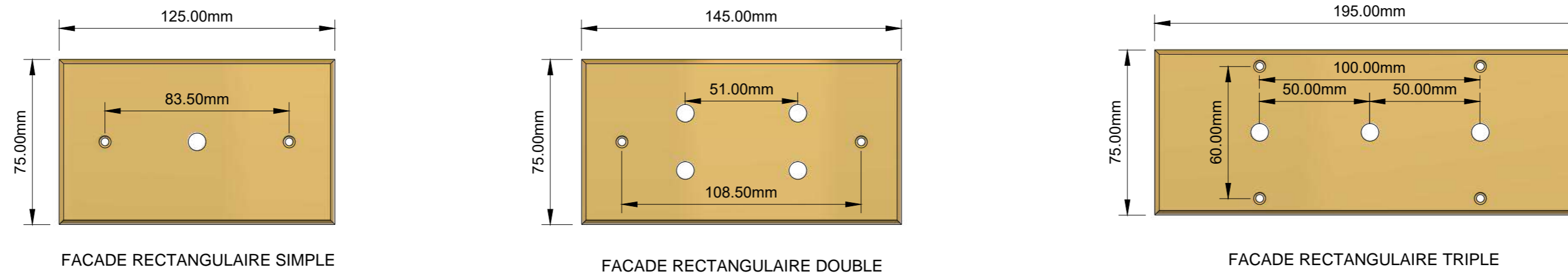
FORMAT **CARRE**
HOPE/CARAT



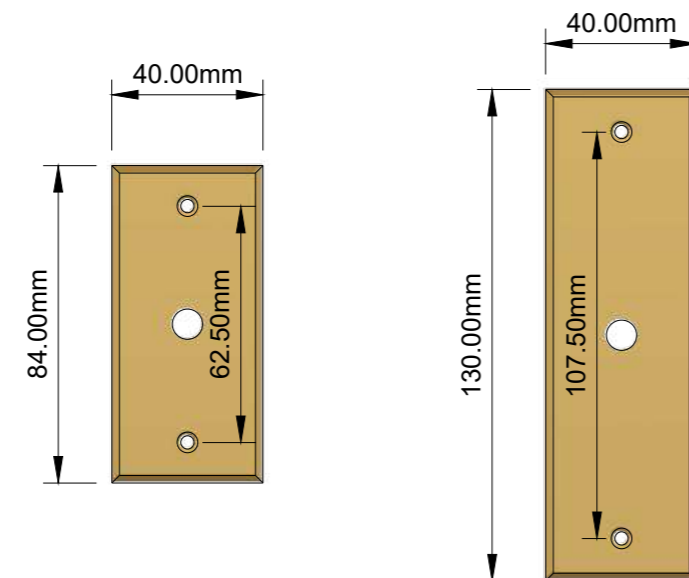
FORMAT **CARRE**
HOPE/CARAT
(Facades quadruples
et quintuples)



FORMAT **RECTANGULAIRE**
HOPE/CARAT **SLIM**



FORMAT **RECTANGULAIRE**
ETROIT
HOPE/CARAT **SLIM ETROIT**



Dept.	Technical reference	Created by Dean Jelas	30-10-19	Approved by
		Document type		Document status
		Title Dim Heritage		DWG No.
		Rev.	Date of issue	Sheet 1/1